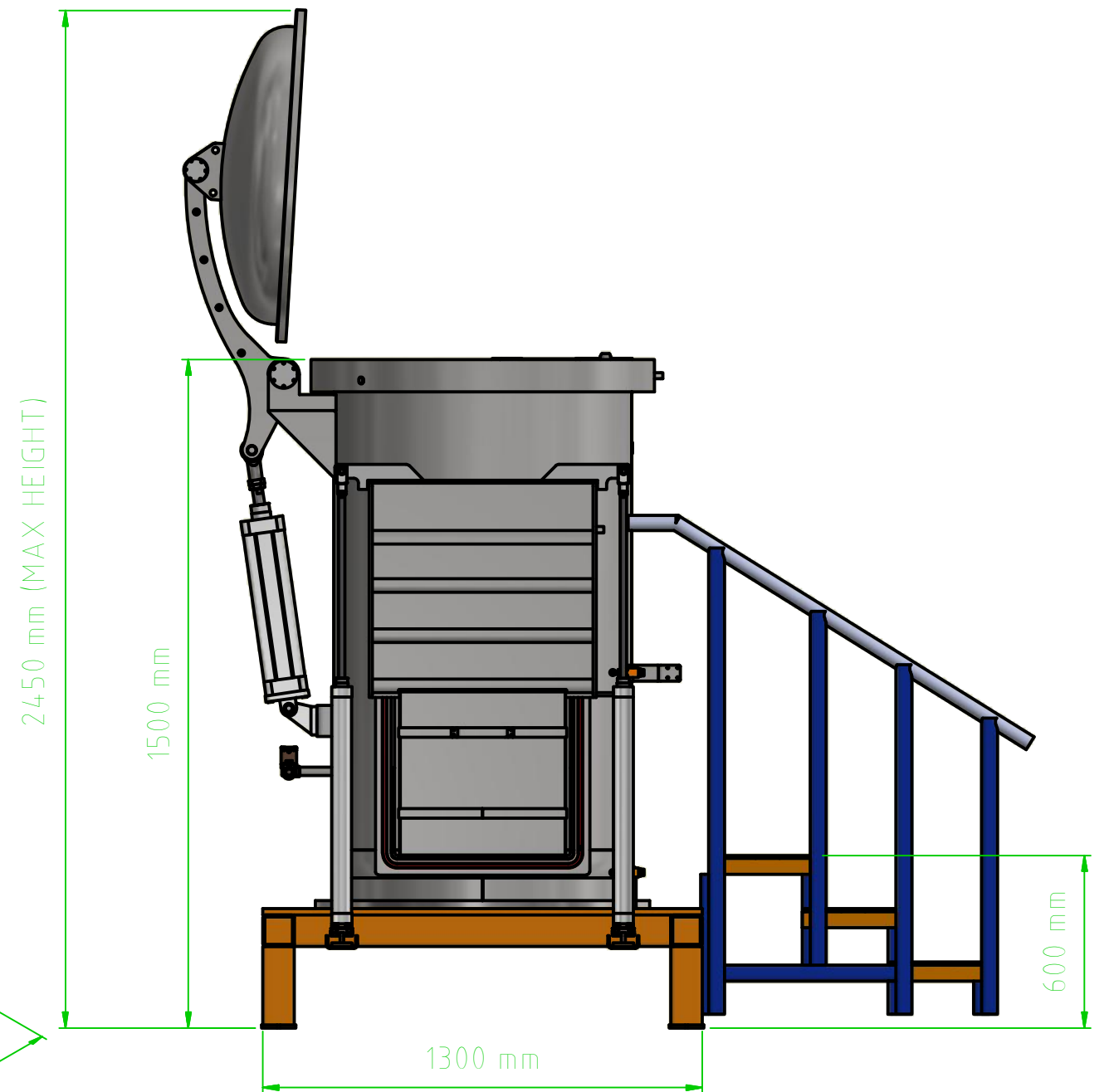


TEFLON Coated Unloading Container



ARI-150 CHARACTERISTICS:

Loading: Manual

*Each equipment has 3 containers. A container fills after 2 cycles.
Then replace with empty one, and continue processes.*